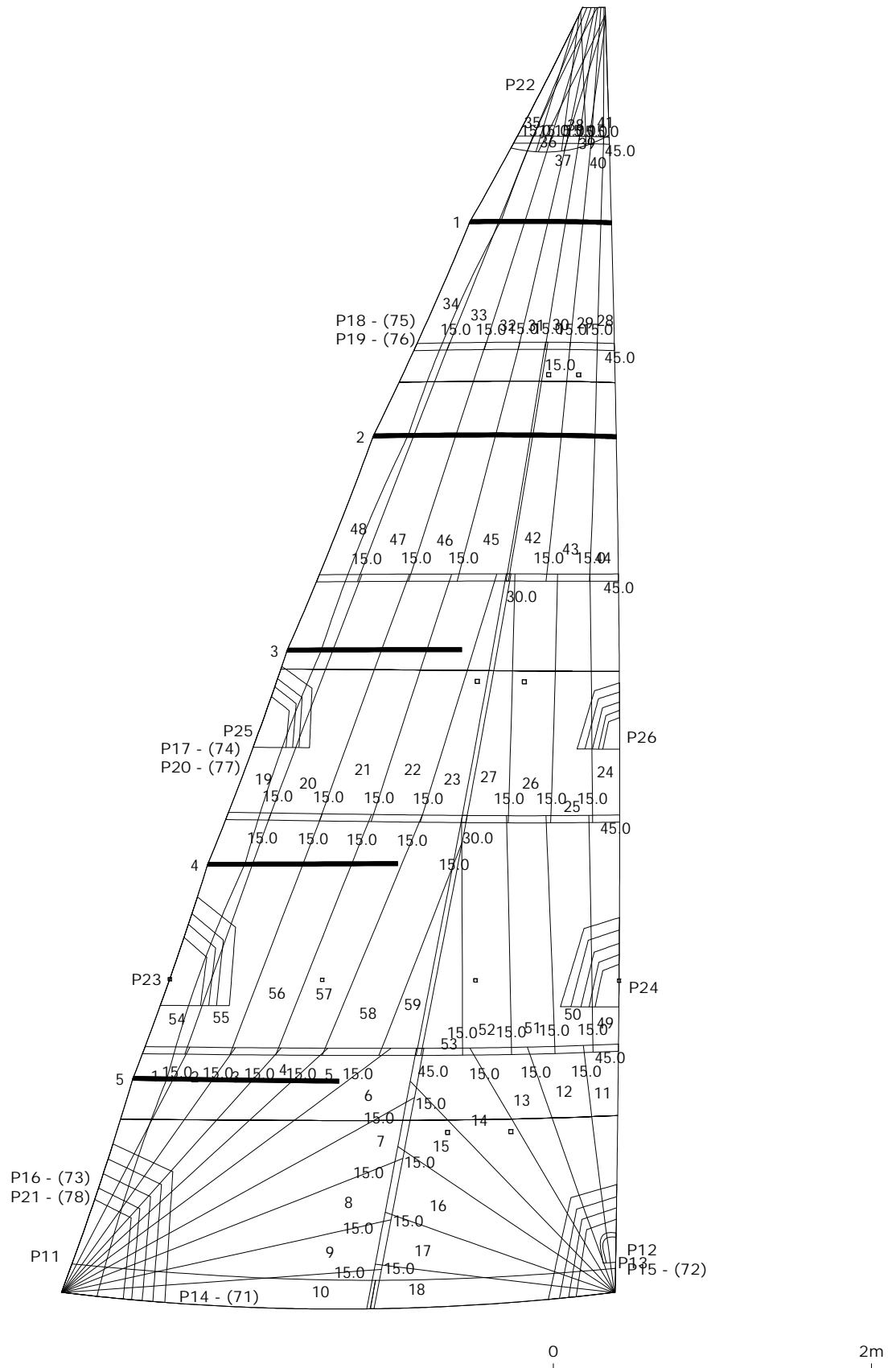




Date: 2024/3/21
Designer: chi
Company: RUD RUM sails
Filename: Maxus 24-mailsail.pak

Sail:
Boat:
Customer:
Order Ref.:

Panel layout

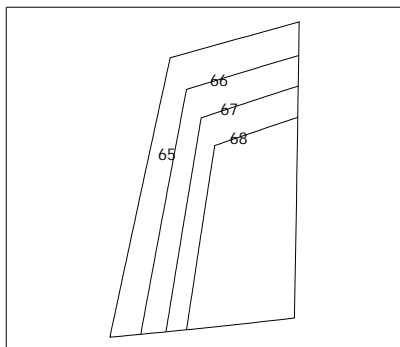




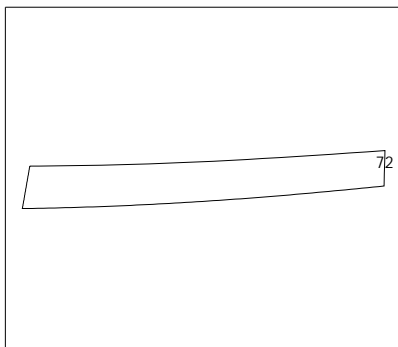
Date: 2024/3/21
Designer: chi
Company: RUD RUM sails
Filename: Maxus 24-mailsail.pak

Sail:
Boat:
Customer:
Order Ref.:

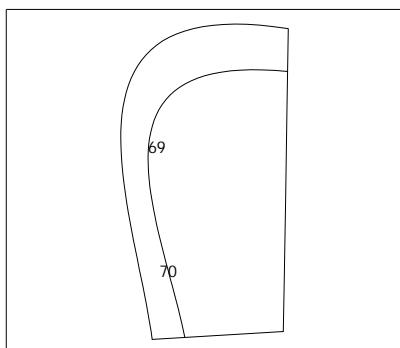
Patch layout



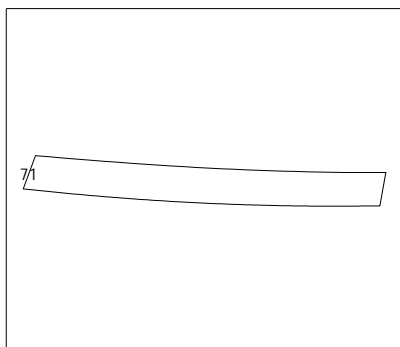
P12



P15 - (72)



P13

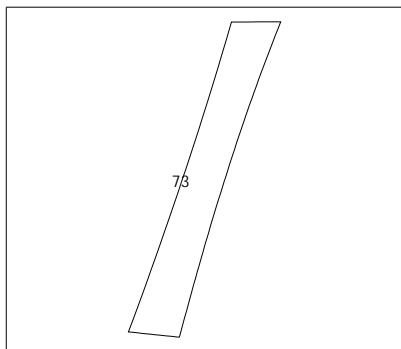


P14 - (71)

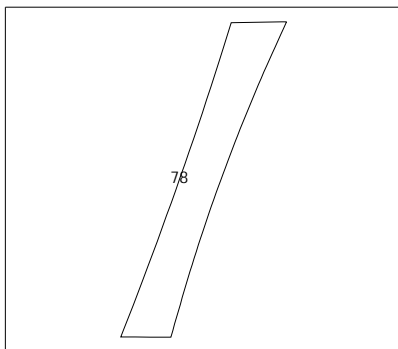


Date: 2024/3/21
Designer: chi
Company: RUD RUM sails
Filename: Maxus 24-mailsail.pak

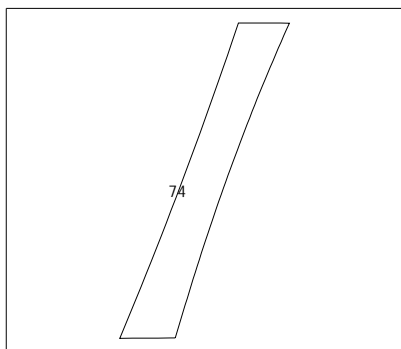
Sail:
Boat:
Customer:
Order Ref.:



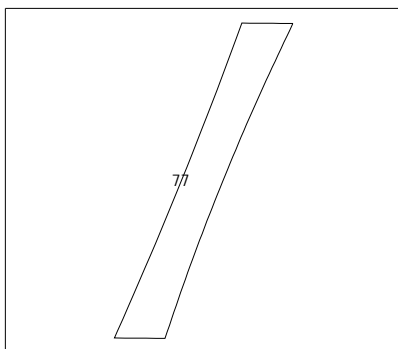
P16 - (73)



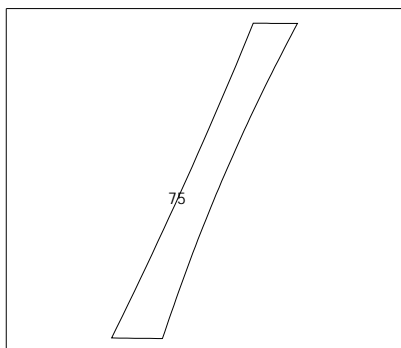
P21 - (78)



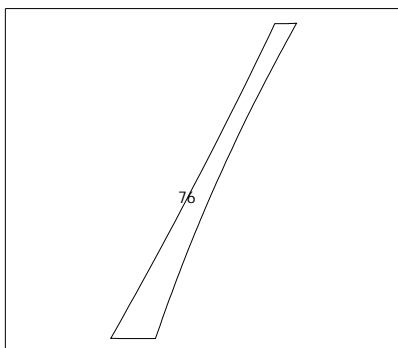
P17 - (74)



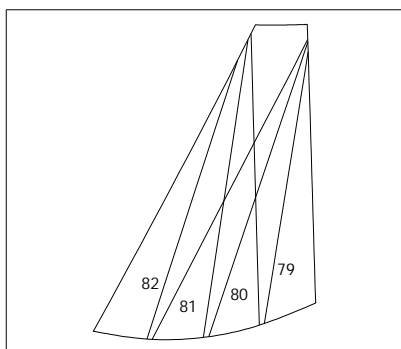
P20 - (77)



P18 - (75)



P19 - (76)

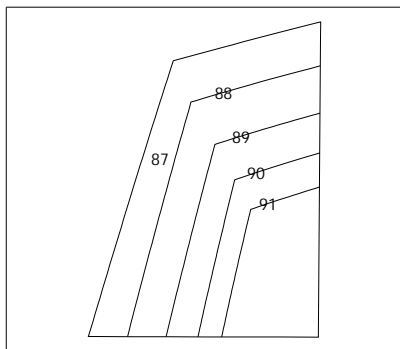


P22

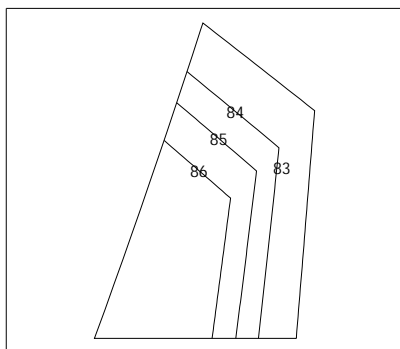


Date: 2024/3/21
Designer: chi
Company: RUD RUM sails
Filename: Maxus 24-mailsail.pak

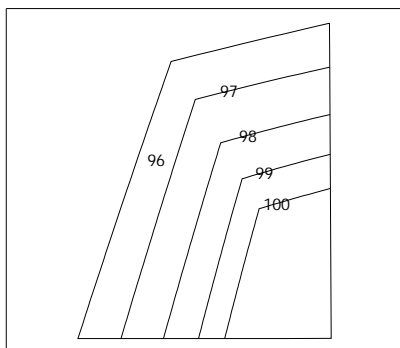
Sail:
Boat:
Customer:
Order Ref.:



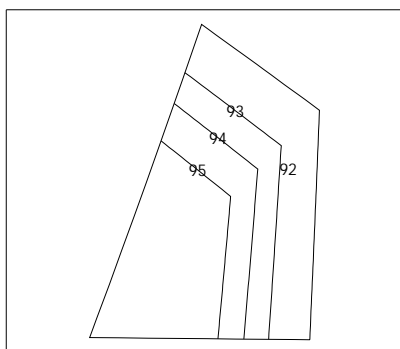
P24



P23



P26

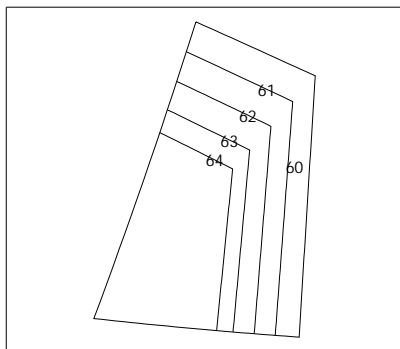


P25



Date: 2024/3/21
Designer: chi
Company: RUD RUM sails
Filename: Maxus 24-mailsail.pak

Sail:
Boat:
Customer:
Order Ref.:



P11



Date: 2024/3/21
 Designer: chi
 Company: RUD RUM sails
 Filename: Maxus 24-mailsail.pak

Sail:
 Boat:
 Customer:
 Order Ref.:

Measurement Check List

Measurement rules Ref.: Mainsail IRC

[Luff] = 8.071 m [Leech] = 8.751 m [Foot] = 3.495 m [Head] = 0.151 m Area = 16.975 m² Ratio = 2.32 [MHW] = 2.157 m [MTW] = 1.222 m [MUW] = 0.679 m [MLW] = 2.874 m [Foot Gé o] = 3.488 m [FootFinal] = 3.495 m [FootMould] = 3.495 m [HeadFwd 50%LeechGeo] = 4.402 m [Leech Gé o] = 8.805 m [LeechFinal] = 8.753 m [LeechMould] = 8.752 m [LowerLeechGeo] = 4.409 m [Luff Gé o] = 8.071 m [Tack 50%LeechGeo'1] = 4.148 m [Tack 50%LowerLeechGeo'1] = 1.984 m [Tack 50%TopLeechGeo'1] = 6.233 m [Tack 50%UpLeechGeo'1] = 7.199 m [TopLeechGeo] = 4.409 m [UpLeechGeo] = 2.209 m

Angles (Flat on the floor) Clew: 77.19 i ª Tack: 96.94 i ª Head Fwd: 91.71 i ª Head Aft: 121.02 i ª

Roach (After broadseaming)

	1/8	2/8	3/8	4/8	5/8	6/8	7/8
Luff	8.5 mm	18.3 mm	26.0 mm	28.7 mm	25.3 mm	17.1 mm	8.9 mm
Leech	55.6 mm	103.8 mm	142.2 mm	167.9 mm	177.2 mm	161.2 mm	105.8 mm

Reef, Battens, Shape stripes

	Luff (m) (ref: tack)	Leech (m) (ref: clew)	Length (m)	Width (m)
Reef	1.957	2.093	2.896	
Batten	6.717	7.219	0.942	0.025
Batten	5.373	5.740	1.628	0.025
Batten	4.039	4.291	1.100	0.025
Batten	2.722	2.855	1.200	0.025
Batten	1.347	1.426	1.300	0.025
Shape Stripe	1.111	1.158	3.164	0.000
Shape Stripe	3.900	4.166	2.241	0.000
Shape Stripe	5.713	6.116	1.448	0.000

Area & Weight

Sail area: 16.97 m² Reefed: R1: 10.26 m² (60.4%)

Material area: 25.19 m² Material weight: ??? Total weight: ???

Materials

Material's ID	Material's ref. (&color)	Area (m ²)	Mass (gr)	Panels
—	Default	18.642		1-59
PRIMAIRE2	Ac1	6.549		60-100

Seam width

Seam width (mm)	Zones; Total length (m)
45.0	Zone-seams: 1...4; 6...7; TOTAL: 11.2m
15.0	Zones: Z1...Z10; Zone-seams: 8; TOTAL: 79.3m
30.0	Zone-seams: 5; 9; TOTAL: 3.1m

Sail outline finishings

Hemmings: None

Outline drawings: None





Date: 2024/3/21
Designer: chi
Company: RUD RUM sails
Filename: Maxus 24-mailsail.pak

Sail:
Boat:
Customer:
Order Ref.:

Notes

Finish sizes

LL 20.13 Cut before luff tape

LPG 6.292 inc luff tape

HHW 3.215 inc luff tape

HTW 1.760 inc luff tape

HHB .155 inc luff tape