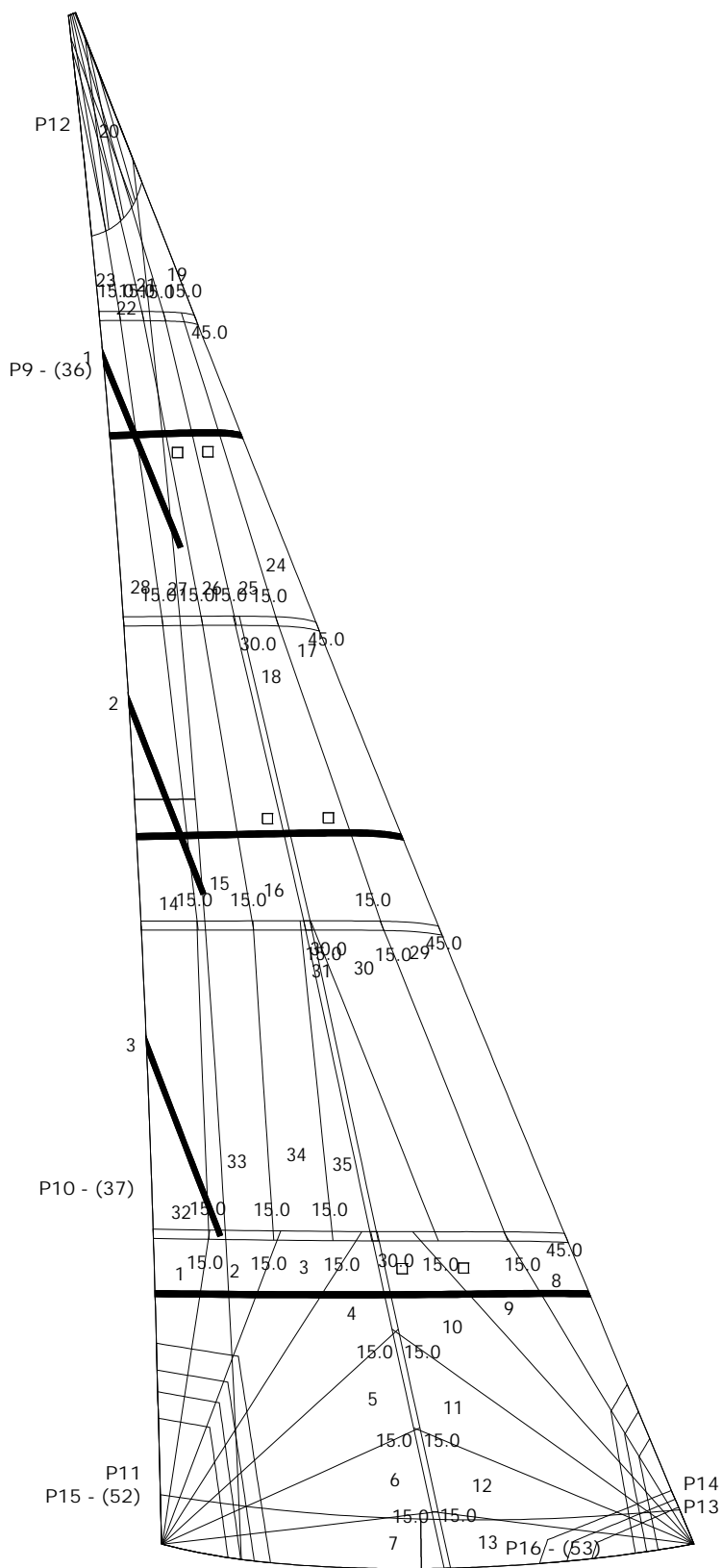




Date: 2024/3/21
Designer: chi
Company: RUD RUM sails
Filename: Maxus 24-jib.pak

Sail: jib
Boat:
Customer:
Order Ref.:

Panel layout



0 2m

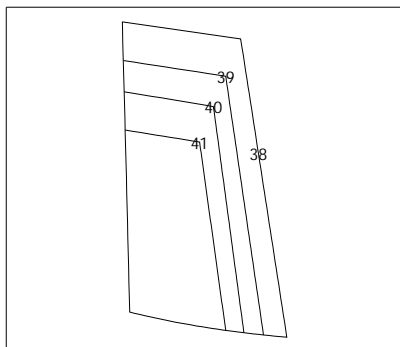




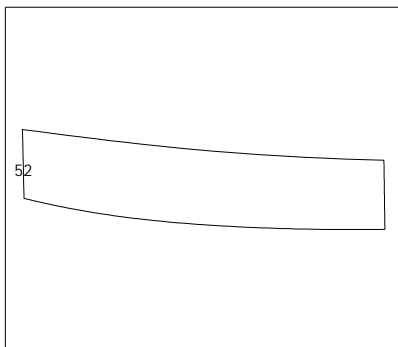
Date: 2024/3/21
Designer: chi
Company: RUD RUM sails
Filename: Maxus 24-jib.pak

Sail: jib
Boat:
Customer:
Order Ref.:

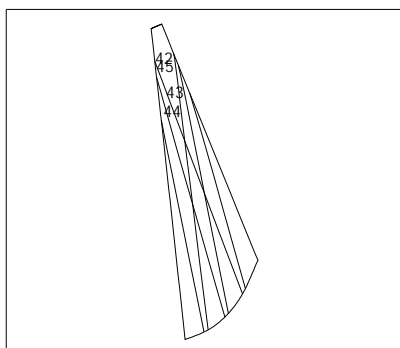
Patch layout



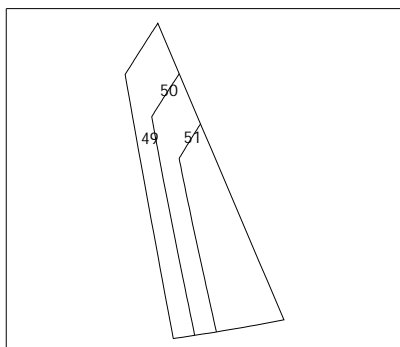
P11



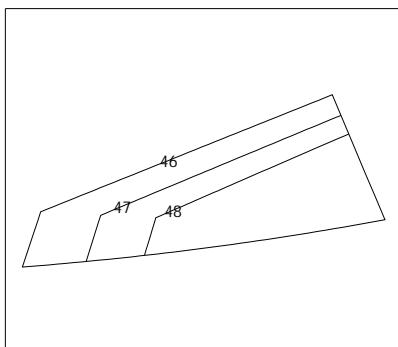
P15 - (52)



P12



P14

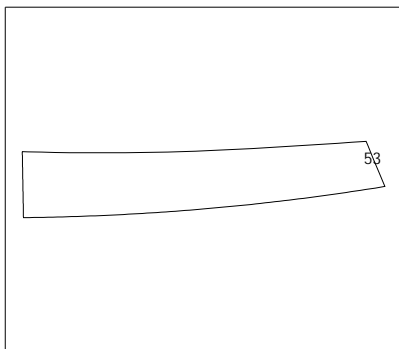


P13

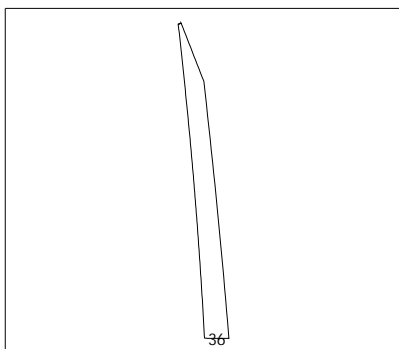


Date: 2024/3/21
Designer: chi
Company: RUD RUM sails
Filename: Maxus 24-jib.pak

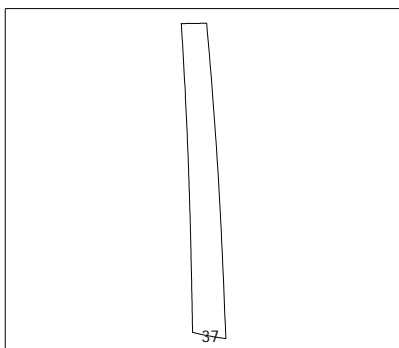
Sail: jib
Boat:
Customer:
Order Ref.:



P16 - (53)



P9 - (36)



P10 - (37)



Date: 2024/3/21
Designer: chi
Company: RUD RUM sails
Filename: Maxus 24-jib.pak

Sail: jib
Boat:
Customer:
Order Ref.:

Measurement Check List

Measurement rules Ref.: Genoa IMS

Area = 9.856 m² [Luff] = 8.041 m [Geoleech] = 7.483 m [Geofoot] = 2.607 m [HTW] = 0.591 m
[HHW] = 1.192 m [HLW] = 1.813 m [LPG] = 2.427 m

Angles (Flat on the floor) Clew: 100.77 i ¯ Tack: 75.90 i ¯ Head: 16.49 i ¯

Roach (After broadseaming)

	1/8	2/8	3/8	4/8	5/8	6/8	7/8
Luff	-23.8 mm	-39.8 mm	-48.6 mm	-51.4 mm	-48.8 mm	-40.1 mm	-23.0 mm
Leech	-46.7 mm	-84.8 mm	-108.6 mm	-117.4 mm	-111.3 mm	-89.4 mm	-50.4 mm

Reef, Battens, Shape stripes

	Luff (m) (ref: tack)	Leech (m) (ref: clew)	Length (m)	Width (m)
Batten	-1.000	5.794	1.000	0.025
Batten	-1.000	4.108	1.000	0.025
Batten	-1.000	2.443	1.000	0.025
Shape Stripe	1.319	1.225	2.159	0.030
Shape Stripe	3.723	3.454	1.372	0.030
Shape Stripe	5.828	5.410	0.692	0.030

Area & Weight

Sail area: 9.86 m² Reefed: No reef

Material area: 15.88 m² Material weight: ??? Total weight: ???

Materials

Material's ID	Material's ref. (&color)	Area (m ²)	Mass (gr)	Panels
MCL 300	Default	5.033		36-53
MCL 300__	° × · « ≥ ¼	10.843		1-35

Seam width

Seam width (mm)	Zones; Total length (m)
45.0	Zone-seams: 1; 3...4; 6; TOTAL: 5.1m
30.0	Zone-seams: 2; 5; 7; TOTAL: 4.8m
15.0	Zones: Z1...Z8; TOTAL: 43.0m

Sail outline finishings

Hemmings: None

Outline drawings: None

Notes

Finish sizes

LL 20.13 Cut before luff tape

LPG 6.292 inc luff tape

HHW 3.215 inc luff tape

HTW 1.760 inc luff tape

HHB .155 inc luff tape

