

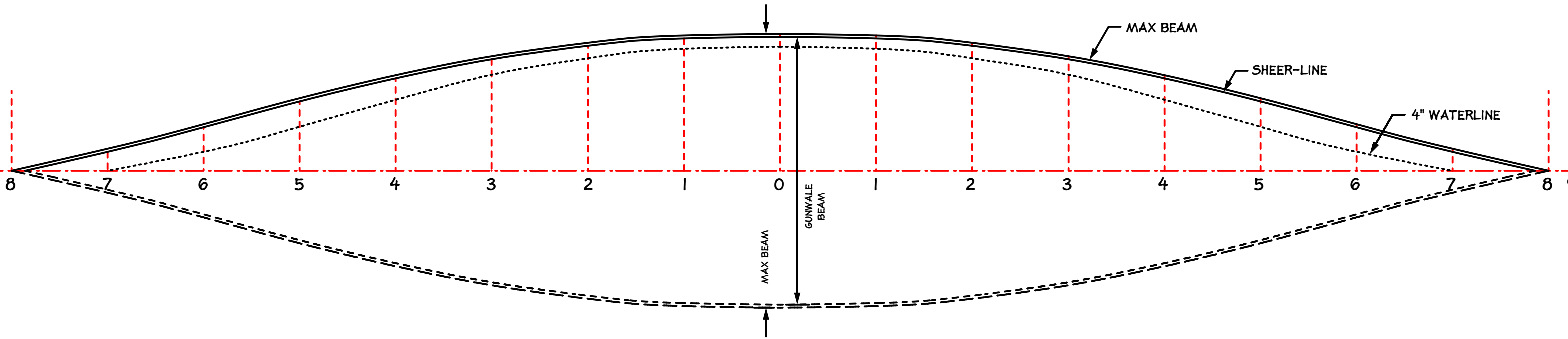
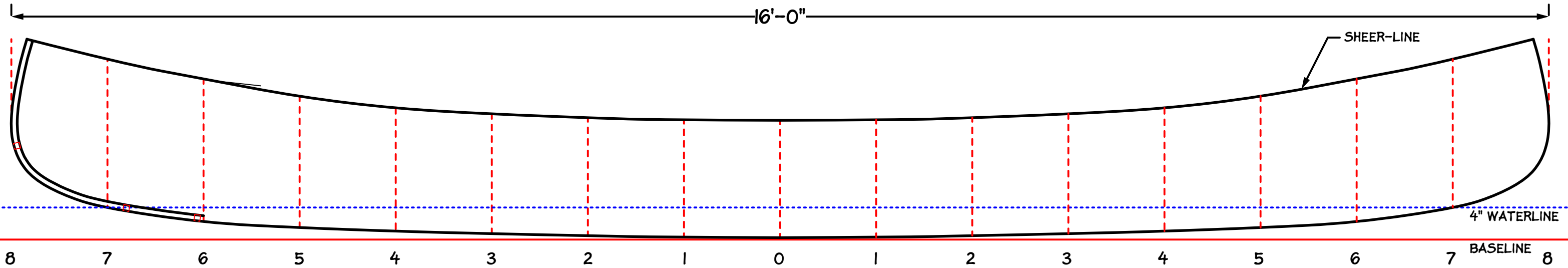
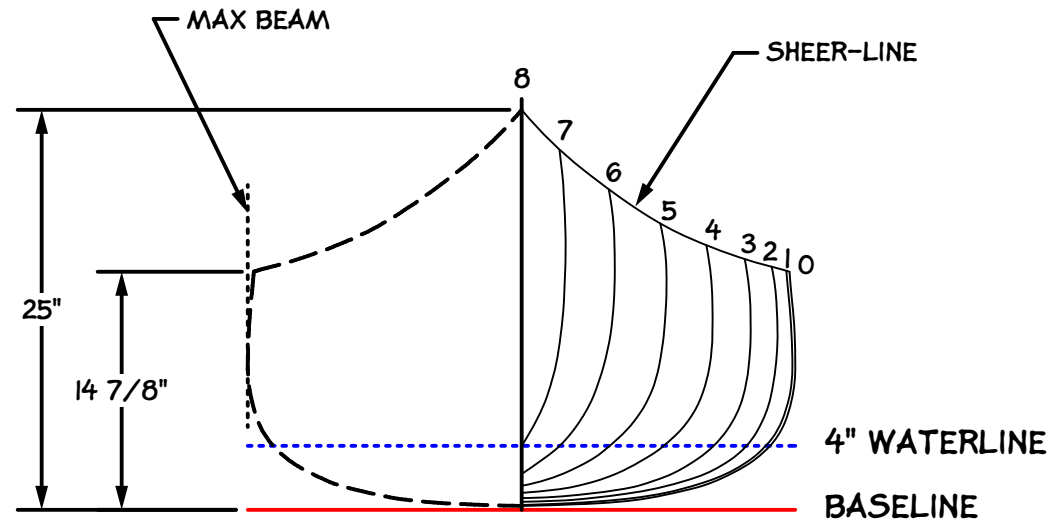
NUT MINER

SPECS:

LENGTH: 16'
 DEPTH: 14 7/8"
 MAX BEAM: 34 3/4"
 GUNWALE BEAM 34"
 BOW HEIGHT: 25"
 APPROX. WEIGHT: 56-62 LBS

SCALE: 1" = 1'-0"

ORIGINAL DESIGN FROM:
 "CANOECRAFT"
 BY TED MOORES
 ISBN: 0-920656-24-2
 "CHESTNUT PROSPECTOR"
 PG 42-43
 MODIFIED DESIGN BY:
 SETH RECARDE
 5/2/07



NUT MINER

FORM LAYOUT PLAN

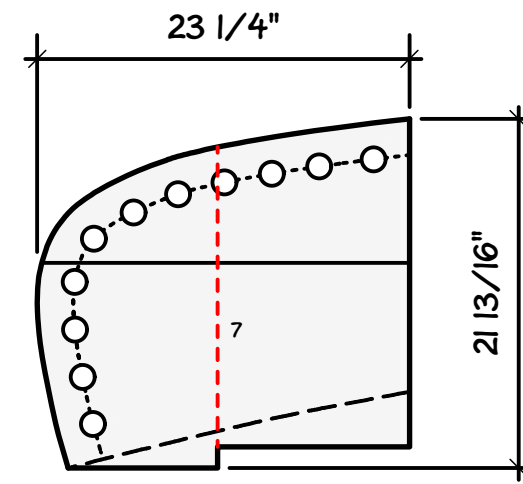
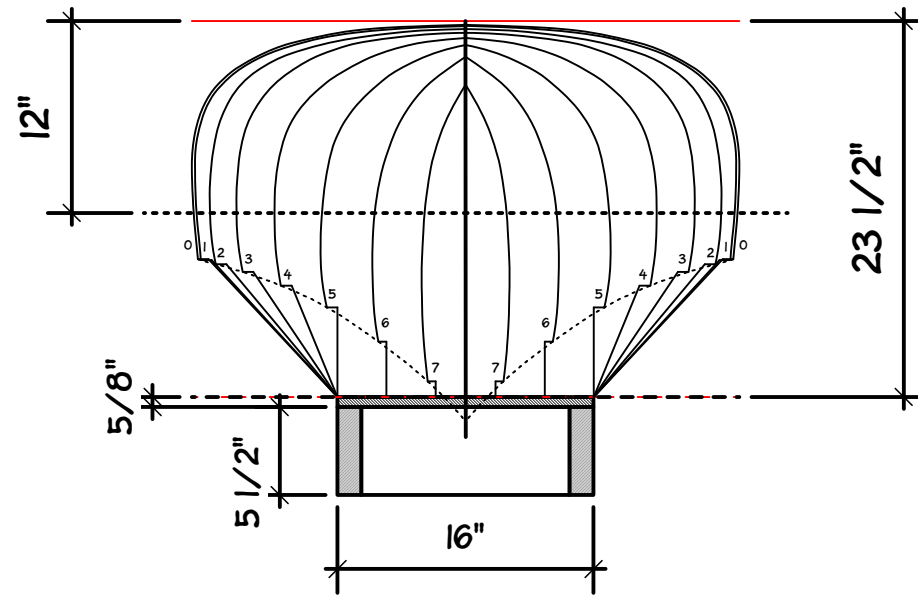
SCALE: 1" = 1'-0"

FORM MATERIALS:

- (2) - 4'X8' SHEETS PLYWOOD (1/2" OR 5/8")
- (2) - 2'X4' SHEET PLYWOOD (3/4")
- 2X SCRAPS FOR ATTACHING TO TABLE

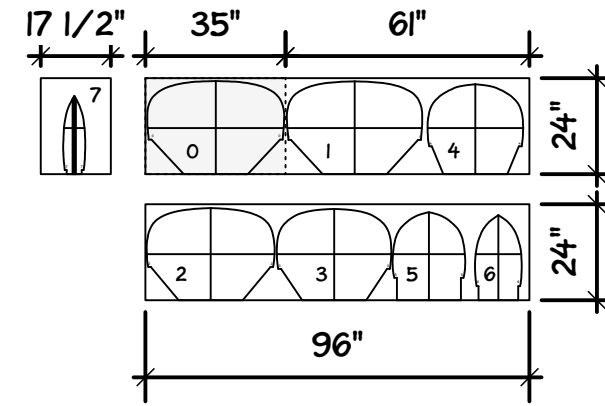
WORKTABLE MATERIALS:

- (1) - 4'X8' SHEET PLYWOOD (5/8")
- (2) - 2X6X14'
- (15) - 2X6X13"
- ALSO: 2X MATERIAL FOR LEGS & BRACING

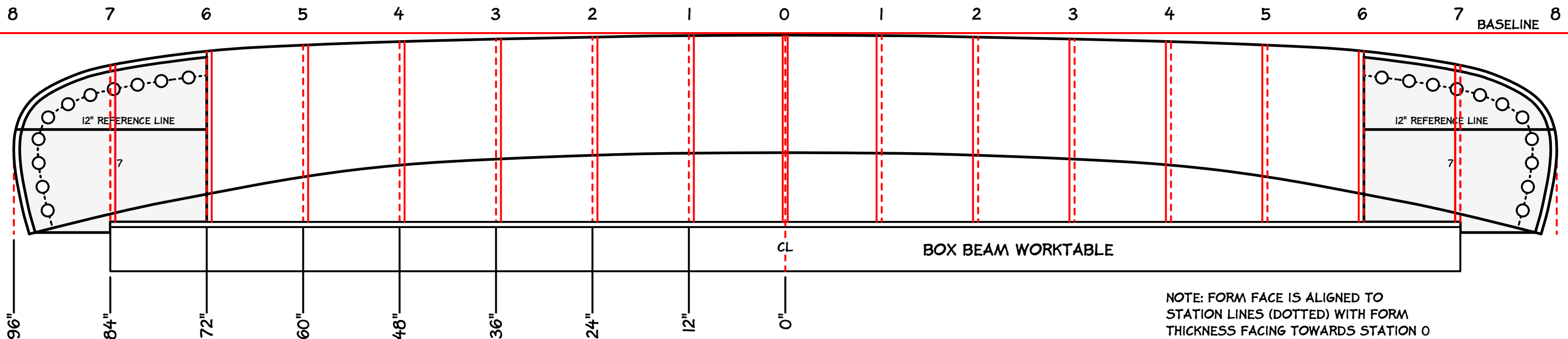


BOW / STERN FORMS
2 REQ'D

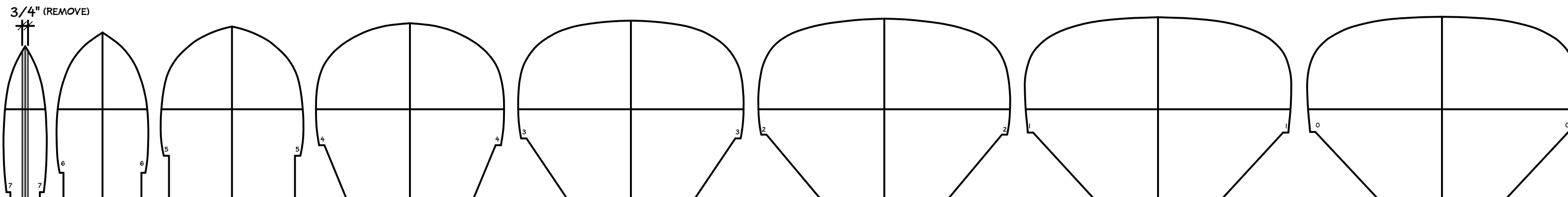
SINGLE SHEET FOR #0
USE REMAINING PIECE FOR #7 (DOUBLED)
ALL OTHERS ARE CUT FROM DOUBLE LAYER



FORM CUTTING LAYOUT



NOTE: FORM FACE IS ALIGNED TO STATION LINES (DOTTED) WITH FORM THICKNESS FACING TOWARDS STATION 0 (STATION 0 IS CENTERED ON CENTERLINE)



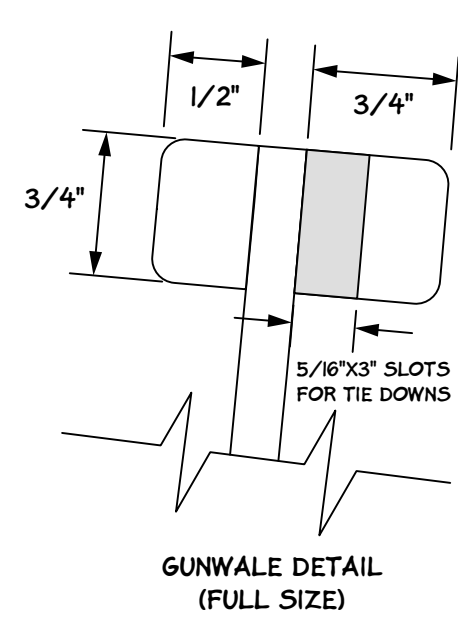
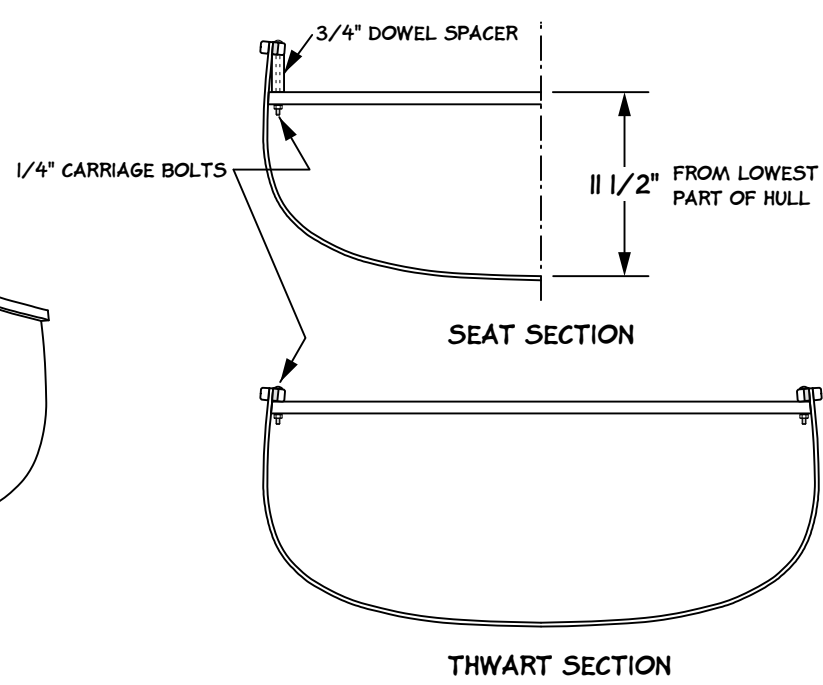
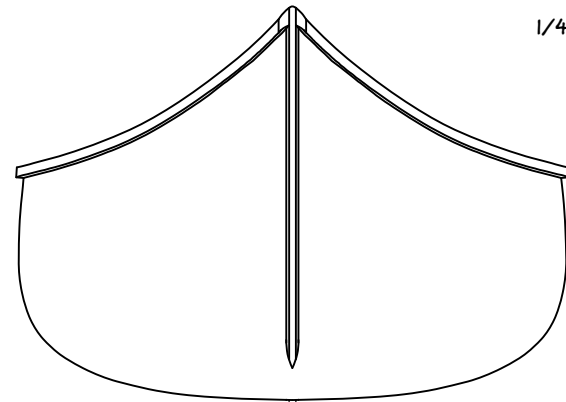
7 2 REQ'D 6 2 REQ'D 5 2 REQ'D 4 2 REQ'D 3 2 REQ'D 2 2 REQ'D 1 2 REQ'D 0 1 REQ'D

STATION FORMS

NUT MINER

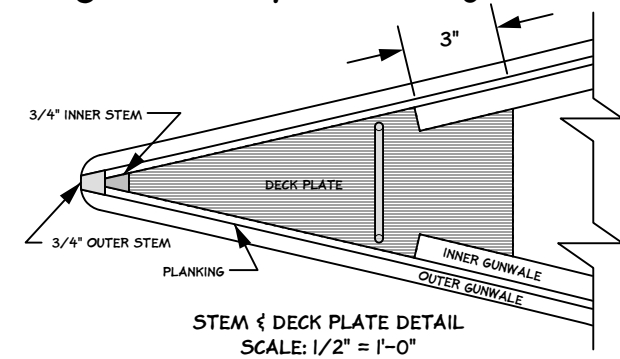
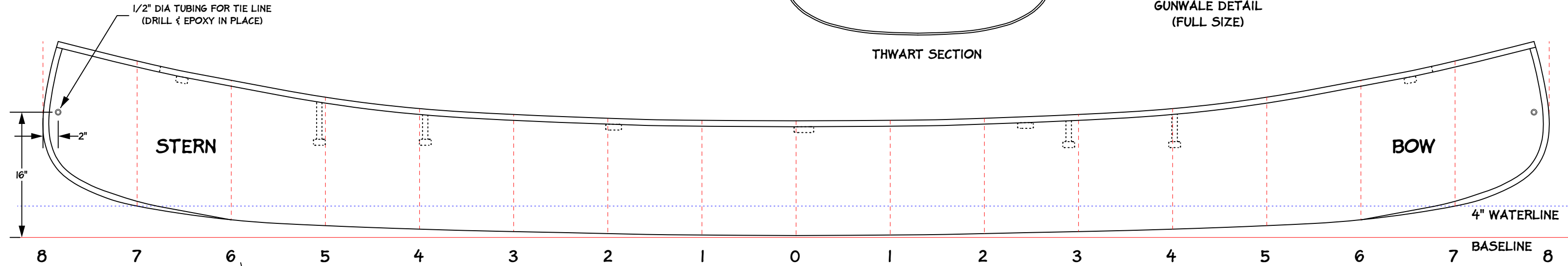
SPECS:

LENGTH: 16'
DEPTH: 14 7/8"
MAX BEAM: 34 3/4"
GUNWALE BEAM: 34"
BOW HEIGHT: 25"
APPROX. WEIGHT: 56-62 LBS



FURNITURE & TRIM PLAN
SCALE: 1" = 1'-0"

ORIGINAL DESIGN FROM:
 "CANOE-CRAFT"
 BY TED MOORES
 ISBN: 0-920656-24-2
 "CHESTNUT PROSPECTOR"
 PG 42-43
 MODIFIED DESIGN BY:
 SETH RECARDE
 5/2/07



SHOWN RIGGED AS A TRIPPING / EXPEDITION CANOE
(STERN & BOW THWARTS ARE OPTIONAL)

